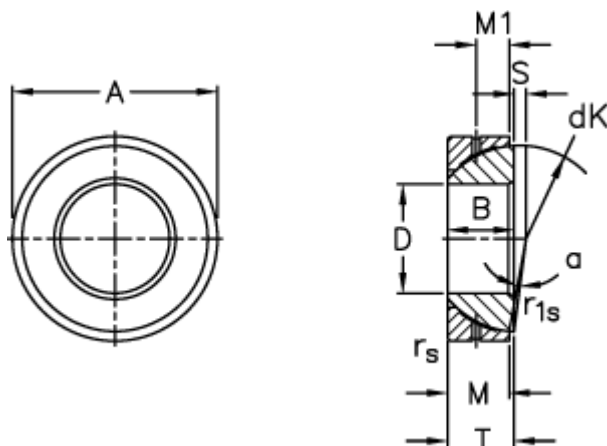


Article number: 03509180

Description: Fluro Rod end GE 180SX

## Measures



A	= 280 0 -0,035	S	= 21
B	= 64	Static load C0 (kN)	= 6700
D	= 180 0 -0,025	T	= 64 +0,35 -0,70
dK	= 260	Tilt angle	= 1
Dynamic load C (kN)	= 1320	Weight	= 17400
M	= 61		
M1	= 28		
rs, r1s min	= 3		